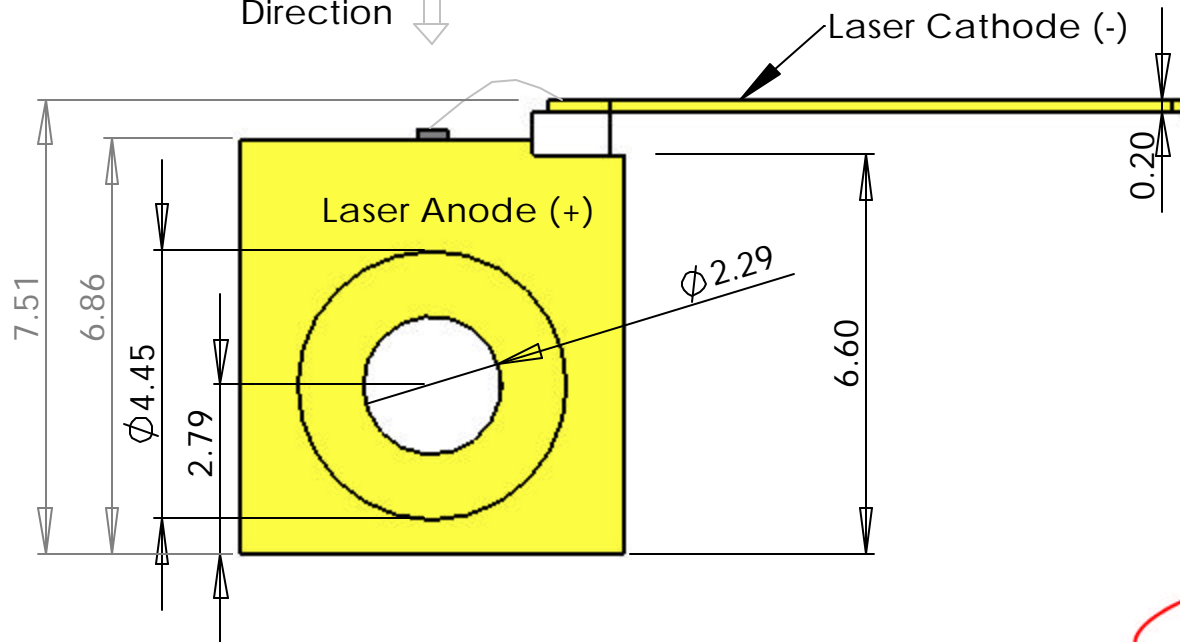
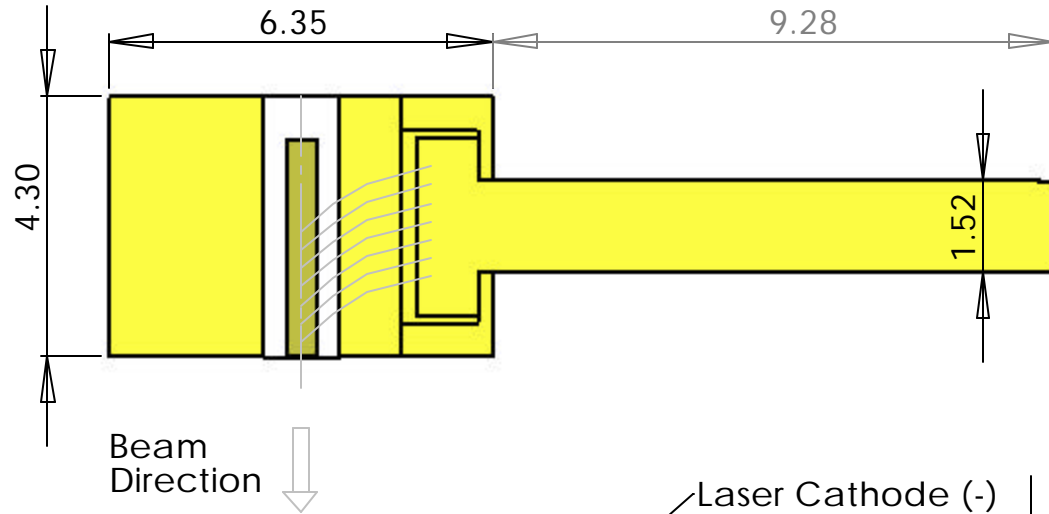
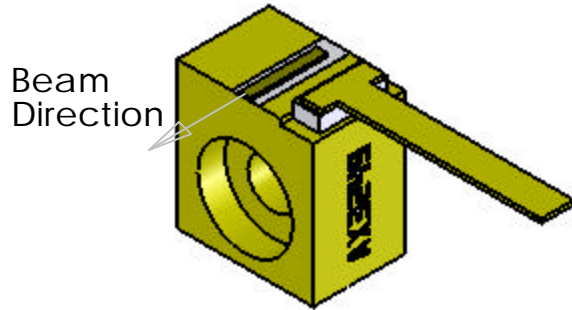


45 Bartlett Street
 Marlborough, MA 01752
 (P)508-481-9200
 (F)508-481-9261
 www.axcelphotonics.com

S43_WJS2_02m Thick CM



- NOTES:
 1. Unit: mm
 2. Chip reference siz : 3600um X 500um X150um

THIS DRAWING IS THE PROPERTY OF AXCEL PHOTONICS. IT IS NOT TO BE COPIED, USED OR REPRODUCED WITHOUT PRIOR WRITTEN APPROVAL.

